

## 7 Facts about the Black-capped Chickadee

1. You can find Chickadees in any habitat that has trees or woody shrubs, from forests and woodlots to residential neighbourhoods and parks, and sometimes weedy fields and cattail marshes. They frequently nest in birch or alder trees.
2. Chickadees have a habit of investigating people and everything else in their territory.
3. They stay with us for the winter and are common visitors to bird feeders which makes them one of the first birds most people learn about.
4. The Black-capped Chickadee eats many different seeds, insects and berries.
5. The birds are very vocal as they call to their mate to announce their find of food or a warning.
6. Once the nest chamber is hollowed out, the female builds the cup-shaped nest hidden within, using moss and other coarse material for the foundation.
7. The Black-capped Chickadee is the provincial bird of New Brunswick.

Source: [www.allaboutbirds.org](http://www.allaboutbirds.org)



### Redberry Lake Biosphere Reserve

Box 221  
Hafford, SK  
S0J 1A0

306-549-4060  
[info@redberrylake.ca](mailto:info@redberrylake.ca)  
[www.redberrylake.ca](http://www.redberrylake.ca)



The Redberry Lake Biosphere Reserve Research & Education Centre and Office is located in the Redberry Lake Regional Park:  
GPS Coordinates 52.717163, -107.215233

#### Discovery Trail Sponsors:



#### Gold Sponsor:

*Mountain Equipment  
Co-operative*



#### Bronze Sponsor:

*EcoFriendly Sask*



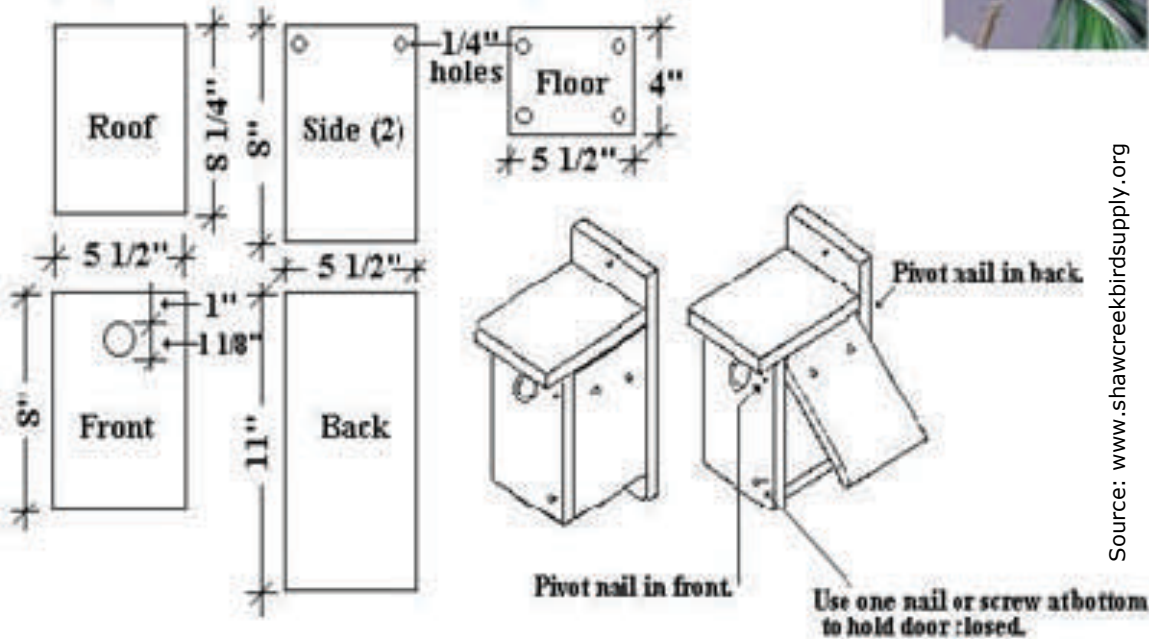
Black-capped Chickadee  
(Photo: [www.wikipedia.org](http://www.wikipedia.org))

## How to Build: A Chickadee Nest Box

## Black-capped Chickadee Nest Box Plans

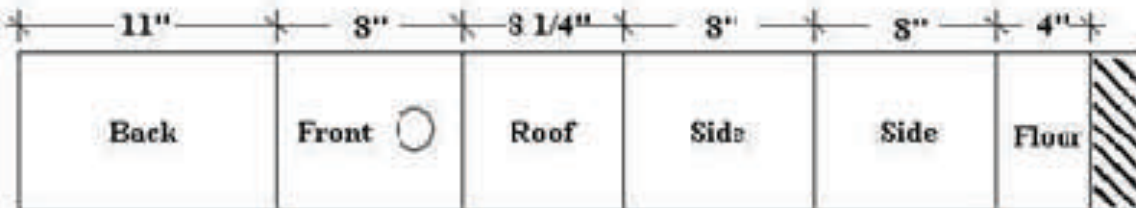
Entrance hole diameter is 1 1/8 inch.

Any larger entrance hole will admit house sparrows



Source: www.shawcreekbirdsupply.org

Lumber: One 1" x 6" x 4'0".



### You will need:

- 3/4 to 1" thick untreated wood stock
- Weather resistant screws between 1 1/4" and 1 1/2" long
- Nails and 3" mounting screws
- Drill with 1/4" and 1 1/8" drill bit
- Table saw

Using a table saw, cut the board to the dimensions as shown (left).

Drill 4 drain holes on the floor, and 2 ventilation holes on both sides.

Drill a 1 1/8" entrance hole in the front.

Assemble the nest box by carefully screwing it together. Drill pilot holes first. Leave one side not screwed, and hammer in two nails from the back and front that will act as pivot nails.

*Mount box 1-12 m above ground and fill with sawdust or wood shavings.*

### Helpful Tips

Use rough feeling wood. It helps adults cling to the box when bringing nesting material and feeding their young.

If you plan on painting, only paint the outside. It is toxic to Chickadees if painted inside.

Do not build a perch, it helps predators to hang on while they look inside for a snack.

**Find more ideas for nest boxes here:**

<http://www.redberrylake.ca/exploreus/hikingtrailstips.php>

